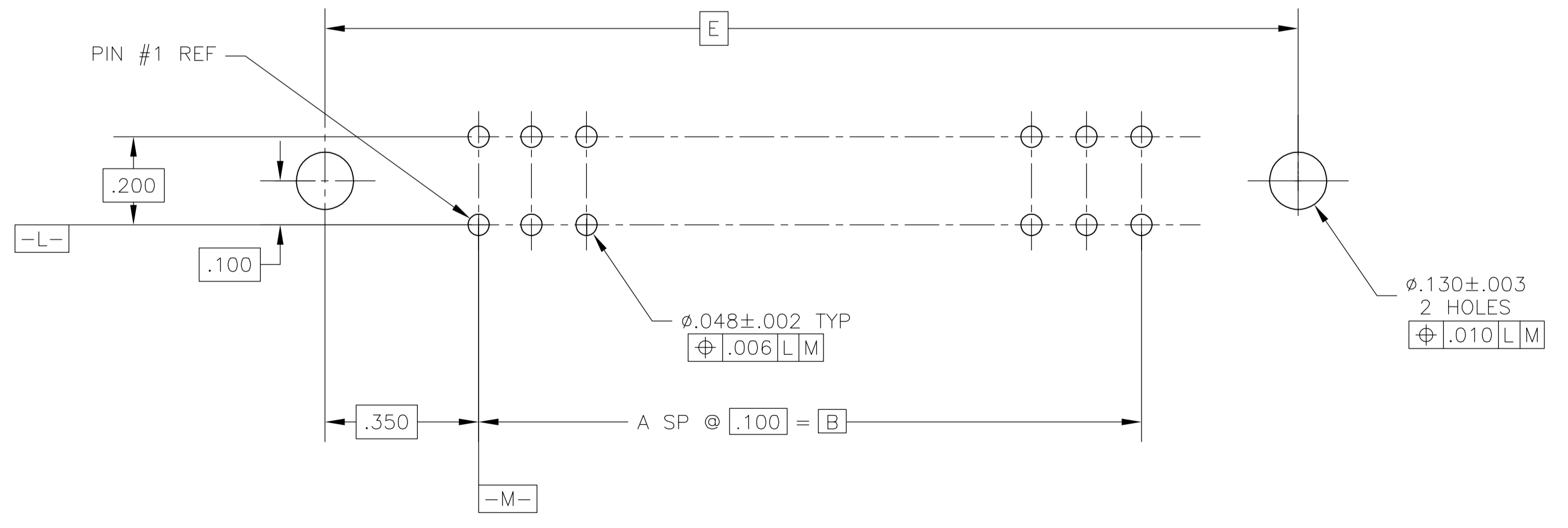
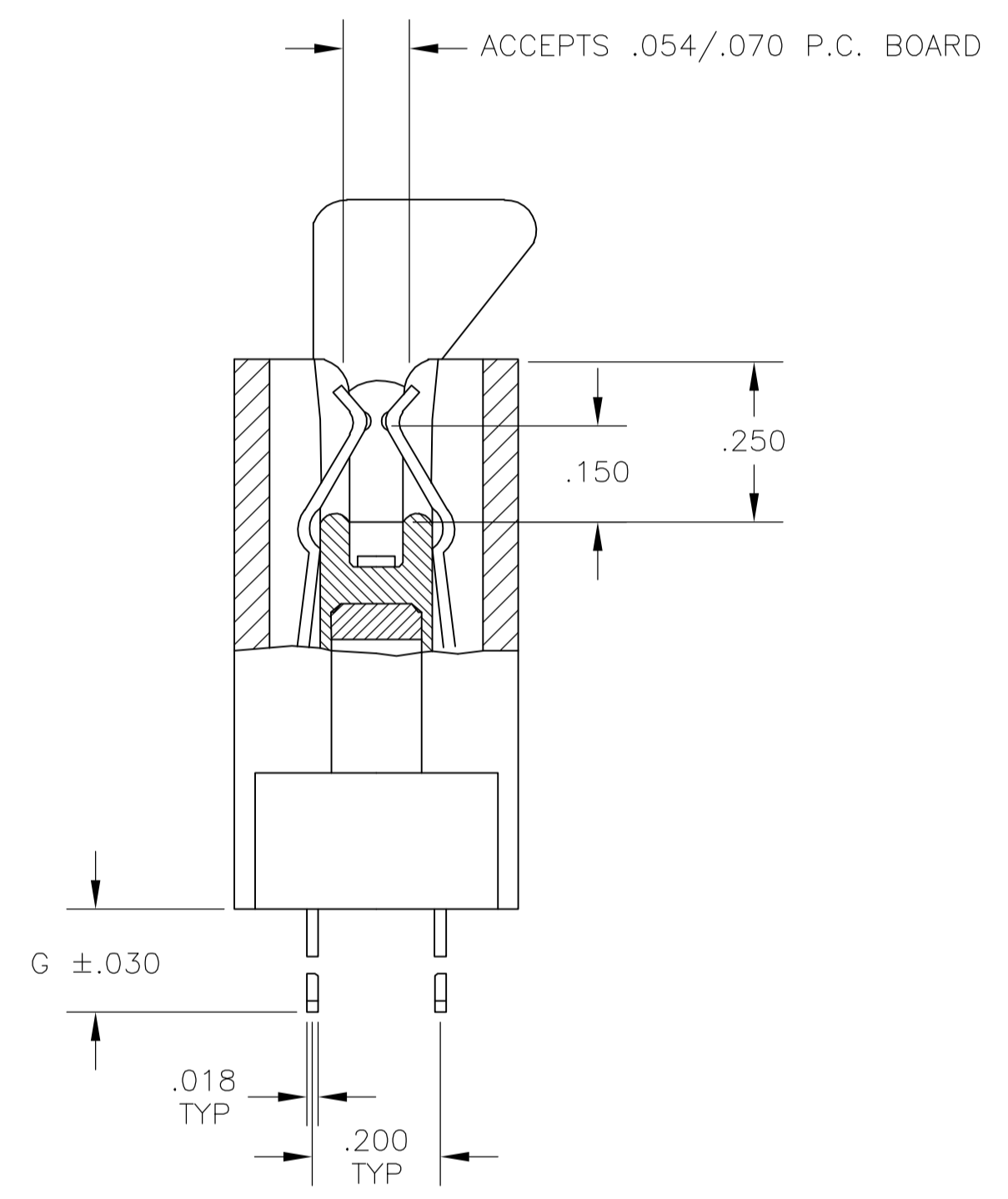
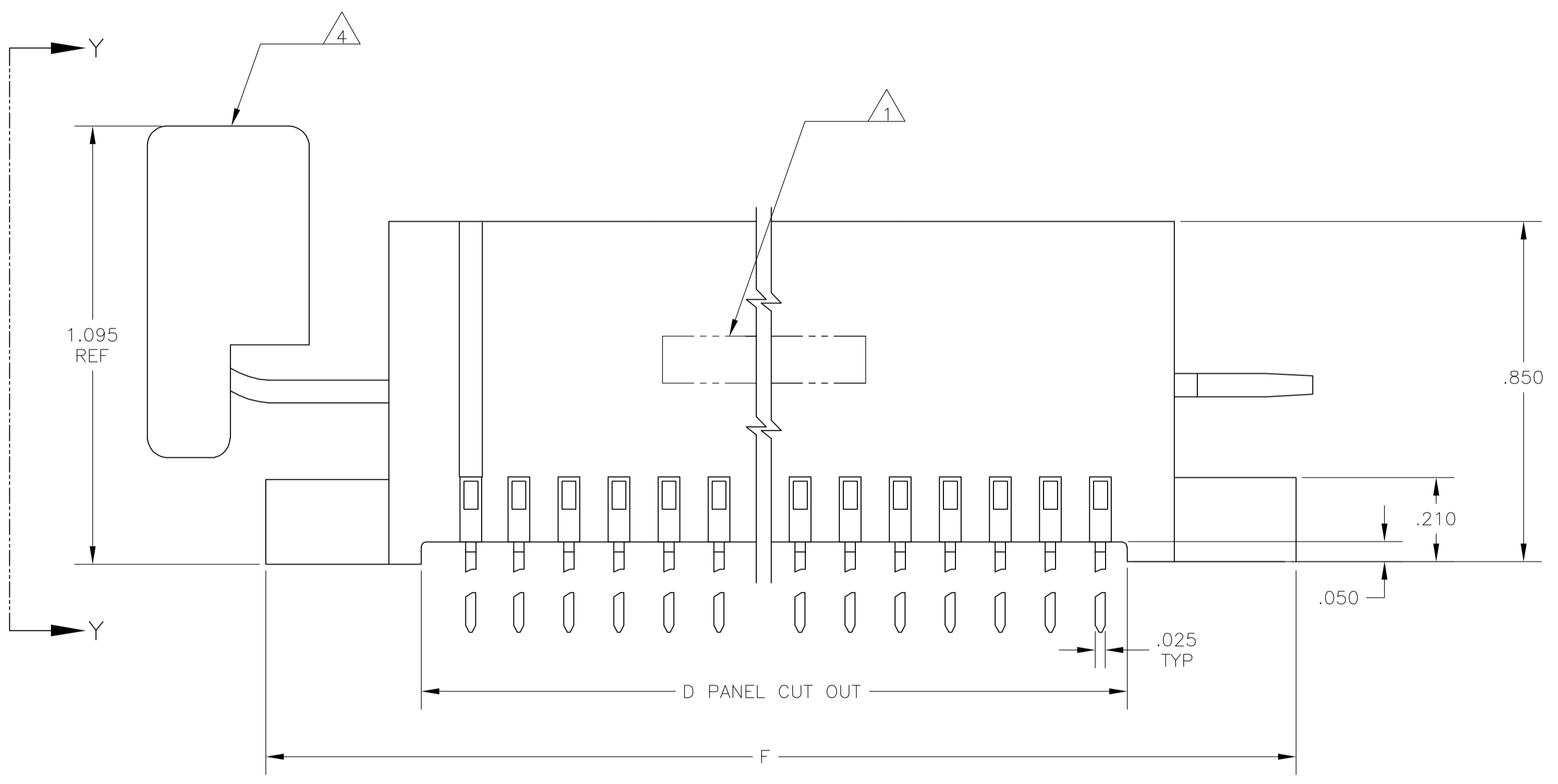


- 1 PART NUMBER AND DATE CODE STAMPED IN THIS AREA ON EITHER SIDE.
- 2 CONTACT: COPPER ALLOY
HOUSING: GLASS FILLED POLYESTER 94 VO.
COLOR-BLACK
CAM ROD: STAINLESS STEEL
- 3 CONTACT: .000050 MIN NICKEL ALL OVER. .000030 GOLD SELECTIVE PLATED IN CONTACT AREA TIN PLATED POST.
- 4 CAM ROD SHIPPED WITH EACH CONNECTOR. ROTATE IN DIRECTION OF ARROW TO OPEN.
- 5 CONTACT: .000050 MIN NICKEL ALL OVER. .000030 GOLD SELECTIVE PLATED IN CONTACT AREA MATTE TIN PLATED POST.



5	6.100	.160	6.900	6.600	6.100	6.300	5.900	59	60/120	6-531019-9
5	5.100	.160	5.900	5.600	5.100	5.300	4.900	49	50/100	6-531019-8
5	3.700	.125	4.500	4.200	3.700	3.900	3.500	35	36/72	5-531019-4
5	2.600	.125	3.400	3.100	2.600	2.800	2.400	24	25/50	5-531019-2
5	2.300	.125	3.100	2.800	2.300	2.500	2.100	21	22/44	5-531019-1
	OBSOLETE	6.600	.160	7.400	7.100	6.600	6.800	64	65/130	2-531019-0
3	6.100	.160	6.900	6.600	6.100	6.300	5.900	59	60/120	1-531019-9
3	5.100	.160	5.900	5.600	5.100	5.300	4.900	49	50/100	1-531019-8
	OBSOLETE	4.100	.160	4.900	4.600	4.100	4.300	39	40/80	1-531019-5
	OBSOLETE	3.700	.160	4.500	4.200	3.700	3.900	35	36/72	1-531019-4
	OBSOLETE	2.900	.160	3.700	3.400	2.900	3.100	27	28/56	1-531019-3
	OBSOLETE	2.600	.160	3.400	3.100	2.600	2.800	24	25/50	1-531019-2
	OBSOLETE	2.300	.160	3.100	2.800	2.300	2.500	21	22/44	1-531019-1
	OBSOLETE	6.600	.125	7.400	7.100	6.600	6.800	64	65/130	1-531019-0
	OBSOLETE	6.600	.125	6.900	6.600	6.100	6.300	59	60/120	531019-9
	OBSOLETE	5.600	.125	5.900	5.600	5.100	5.300	49	50/100	531019-8
	OBSOLETE	4.800	.125	5.100	4.800	4.300	4.500	41	42/84	531019-6
	OBSOLETE	4.100	.125	4.900	4.600	4.100	4.300	39	40/80	531019-5
3	3.700	.125	4.500	4.200	3.700	3.900	3.500	35	36/72	531019-4
3	OBSOLETE	2.900	.125	3.700	3.400	2.900	3.100	27	28/56	531019-3
3	2.600	.125	3.400	3.100	2.600	2.800	2.400	24	25/50	531019-2
3	2.300	.125	3.100	2.800	2.300	2.500	2.100	21	22/44	531019-1
	H	G	F	E	D	C	B	A	POSN.	PART NO.

THIS DRAWING IS A CONTROLLED DOCUMENT.

DIMENSIONS: INCHES	TOLERANCES UNLESS OTHERWISE SPECIFIED:	DRAWN: L. WAREHAM 5/88	CHK: D. GORENC 5/88	APPROVED: D. GORENC	NAME: D. GORENC	TYCO ELECTRONICS	Tyco Electronics Corporation Harrisburg, Pa 17105-3608
0 PLC ± -	1 PLC ± -	2 PLC ± -	3 PLC ± .010	4 PLC ± -	ANGLES ± -	PRODUCT SPEC: 108-9048	ROTARY ZIF ASSEMBLY .100 X .200, SOLDER POST CLOSED BOTH ENDS
MATERIAL: 2	FINISH: 3 5	WEIGHT: -	SIZE: A1	CAGE CODE: 00779	DRAWING NO: 531019	RESTRICTED TO: -	CUSTOMER DRAWING

SCALE: 4:1 SHEET 1 OF 1 REV L